

Multi Field of View
Automatic
Video Measurement System



quantum

NEW





quantum

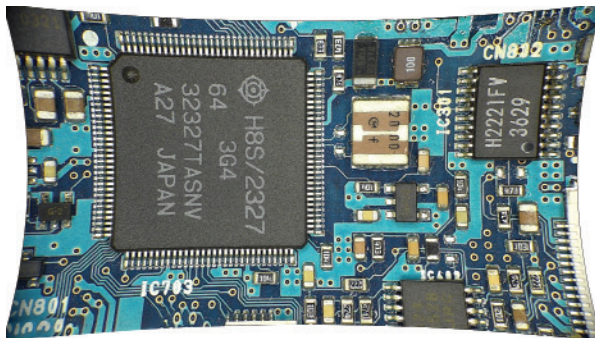
A new category of FOV measuring system from Ash Technologies. Quantum is a fully integrated – No PC required, easy to use, reliable and efficient 2D video measurement system. Advanced digital image processing technology and unprecedented Multiple FOV ranges reduces measurement time and eliminates operator variances.

Unique Technology

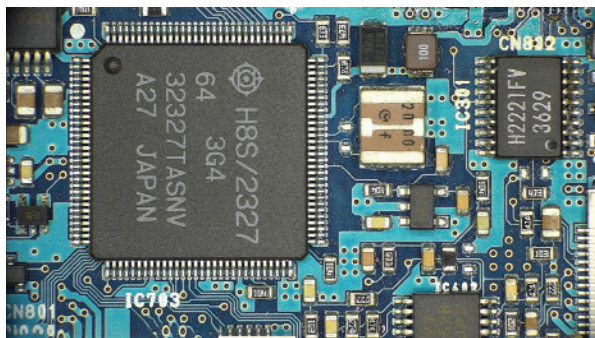
RTLDC™ Real Time Lens Distortion Correction

(Patent Applied For)

Distortion is inherent in all lenses. Rather than correct this through optics, Ash have developed a digital solution. Quantum uses advanced algorithms to correct lens distortion on the live image. This results in consistent measurements across the entire field of view.



Before



After

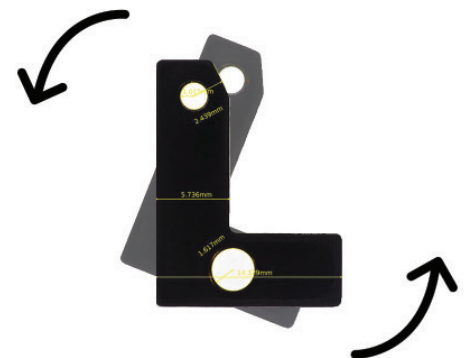
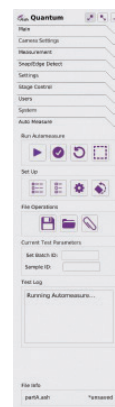
AshCal™ AutoCalibrates with every zoom change

(Patent Applied For)

Each magnification level is factory calibrated which saves time re-calibrating after every zoom change.

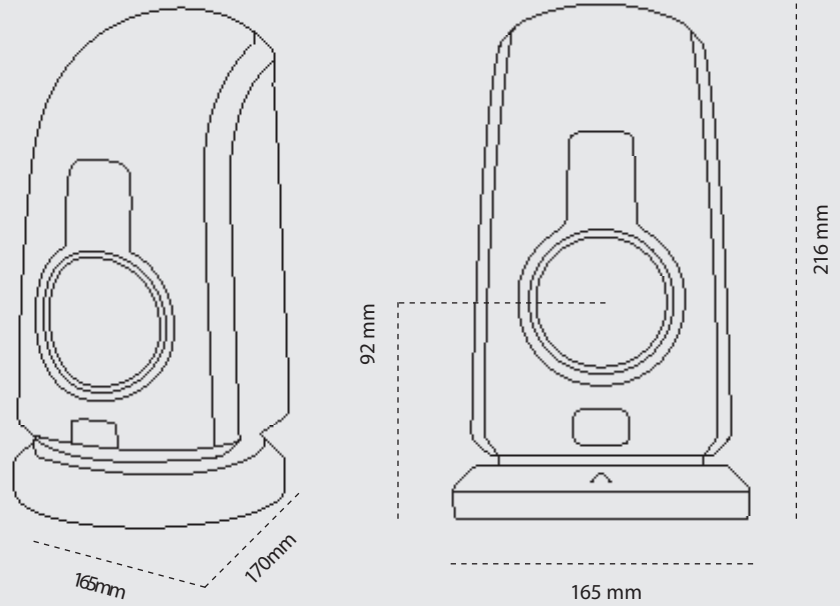
Automatic Alignment

- Automatic identification of part position & re-orientation: No need for a jig to position parts. The position of a part is automatically identified and re-oriented to its programmed measurement position.



Quick Measurements & Data Sharing

- Save and recall measurement and settings files for routine inspections
- Simultaneous automatic measurements to speed up inspection time
- PASS/FAIL tolerance judgement display for rapid identification of failures
- NFS connectivity for automatic transfer of results to the network

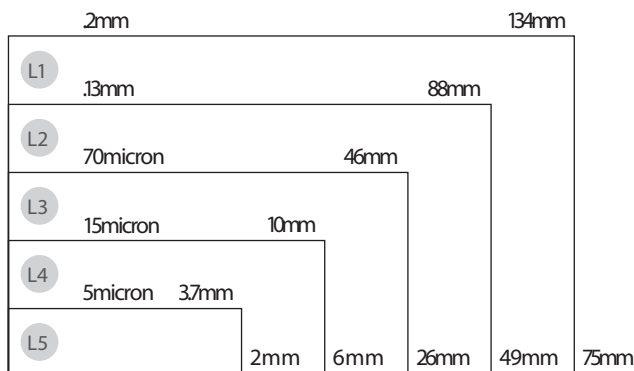


QUANTUM

Multi Field of View Video Measurement System

Multi Field of View System

RTLDC™ means no lens change is required to achieve multiple fields of view. Quantum uses digital correction on the live image.



Field of View Chart L1 - L5

Technical Specifications

Optics	+5 lens with 5 fixed position zooms
FOV	134mm x 75mm @ L1 mag; 88mm x 49mm @ L2 mag; 46mm x 26mm @ L3 mag; 10mm x 6mm @ L4 mag; 3.7mm x 2mm @ L5 mag;
Illumination	Quadrant controllable LED ring light; Sub-stage transmitted LED illumination
Power	24 W
Dimensions	216(H) x 165(W) x 170(D) mm
Weight	1.75 kg

Contact Us.

Ash Technologies Ltd.
B5, M7 Business Park,
Naas, Co. Kildare,
W91 P684, Ireland.

P: + 353-45-882212
E: info@ashvision.com
W: www.ashvision.com

